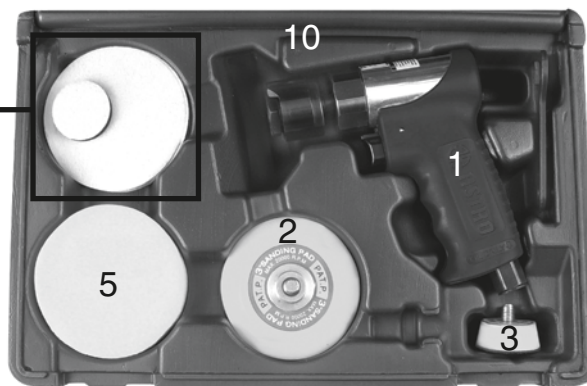
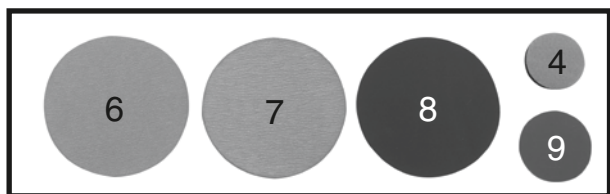


**PARTS BREAKDOWN  
FOR 3050**

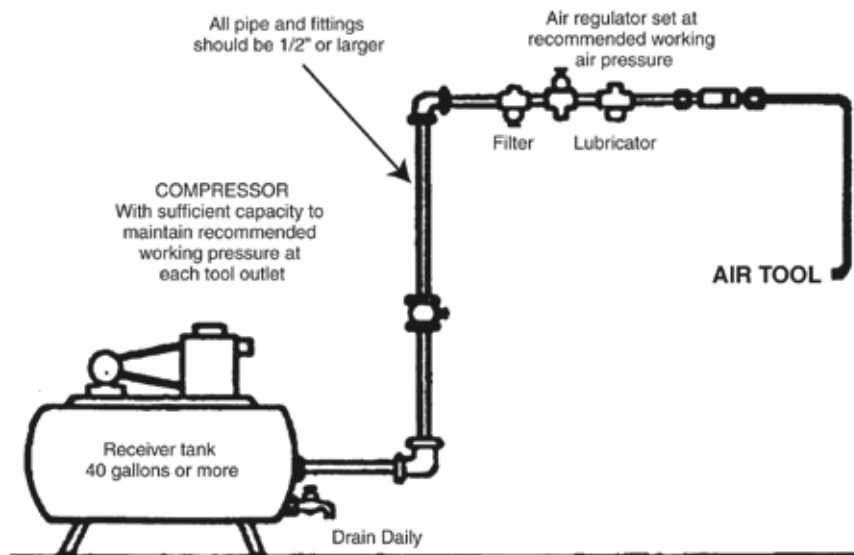
Call 1.800.221.9705 for questions concerning performance of the product or other inquiries.



**Parts List**

Index No.	Part No.	Description	Qty
1	3042	Pistol Grip Dual Action Sander/Polisher Tool - 13,000rpm - 16,000rpm	1
2	20302P	3" Sanding/Polishing Back-up Pad	1
3	20304P	1-1/2" Velcro Holder	1
4	20305P	1-1/2" Sanding Pad	1
5	20306P	3" Polishing Foam Pad	1
6	3400P	3" 400 Grit Sanding Disc	2
7	3600P	3" 600 Grit Sanding Disc	2
8	31000P	3" 1000 Grit Sanding Disc	2
9	2000P	1-1/2" 2000 Grit Sanding Disc	10
10	K-2077-1B	Blow Molded Case	1

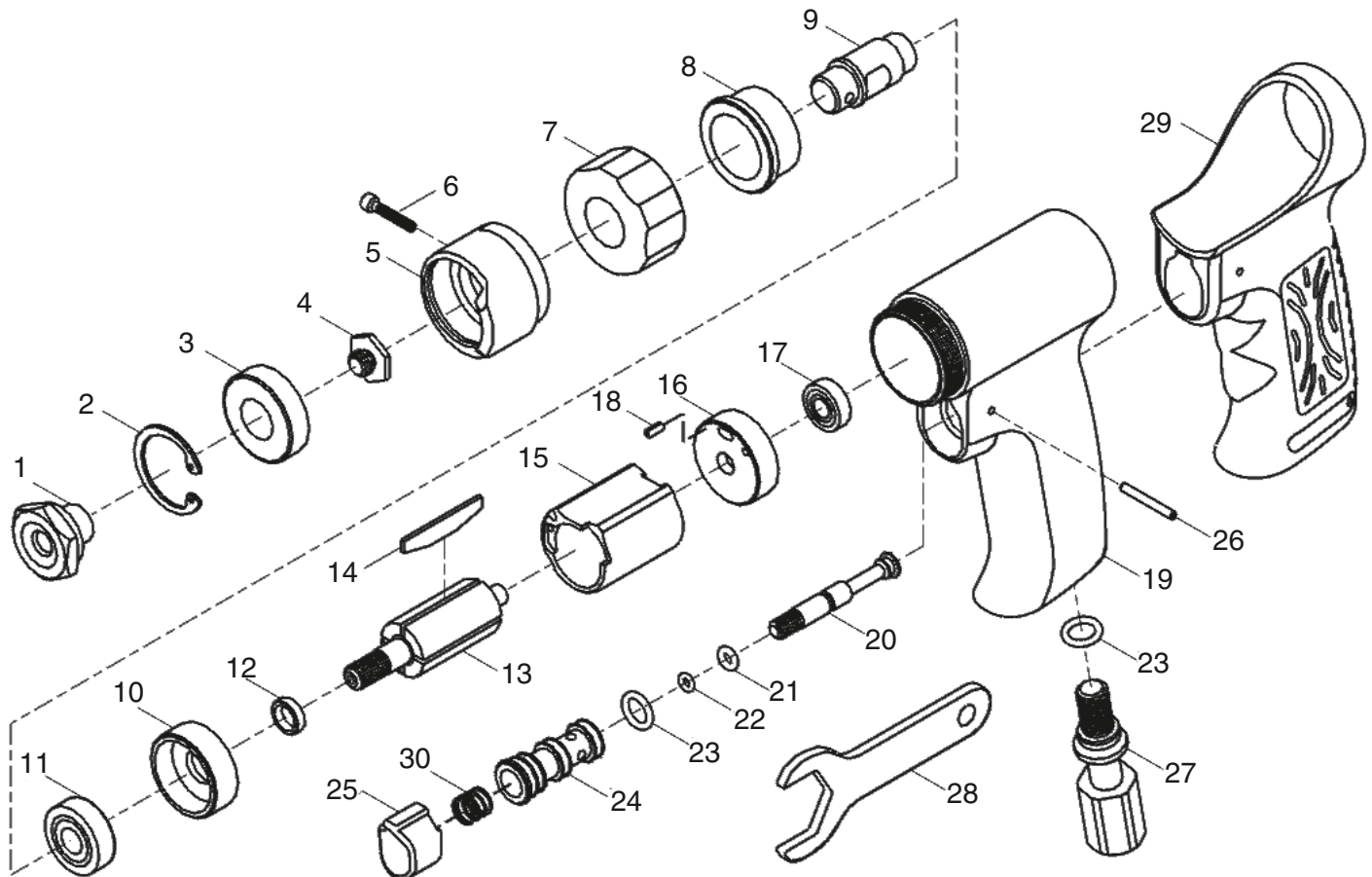
**SUGGESTED AIR LINE CONNECTION**



## PARTS BREAKDOWN

Call 1.800.221.9705 for questions concerning performance of the product or other inquiries.

### FOR 3042 Pistol Grip Dual Action Sander/Polisher Tool



### Parts List

Index No.	Part No.	Description	Qty
1	3042-01	Spindle	1
2	3042-02	Retaining Ring	1
3	3042-03	Ball Bearing	1
4	3042-04	Hex Screw	1
5	3042-05	Balancer	1
6	3042-06	Screw	1
7	3042-07	Clamp Housing	1
8	3042-08	Bushing	1
9	3042-09	Rotor Shaft	1
10	3042-10	Front End Plate	1
11	3042-11	Ball Bearing	1
12	3042-12	Rotor Collar	1
13	3042-13	Rotor	1
14	3042-14	Vane	4
15	3042-15	Cylinder	1

Index No.	Part No.	Description	Qty
16	3042-16	Rear End Plate	1
17	3042-17	Ball Bearing	1
18	3042-18	Pin	1
19	3042-19	Motor Housing	1
20	3042-20	Valve Stem	1
21	3042-21	O-Ring	1
22	3042-22	O-Ring	1
23	3042-23	O-Ring	3
24	3042-24	Valve Bushing	1
25	3042-25	Button Trigger	1
26	3042-26	Pin	1
27	3042-27	Inlet Bushing	1
28	3042-28	Spanner	1
29	3042-29	Housing Sleeve	1
30	3042-30	Spring	1